

# VISION-3 LIGHTING

MR16 Square Well Light **MODEL IG1**  
 12V 20W Max., MR16 Halogen  
 12V 7.5W, 12/24V 10W, or 12V 12.5W LED

## Specifications

### Housing

Cast C84400 bronze collar attached to an ABS plastic housing using 18-8 stainless steel hardware.

### Lamp Holder

Machined 6061-T6 aluminum cap attached to a machined 6061-T6 aluminum body using one 18-8 stainless steel set screw, and sealed with a high temperature silicone O-ring. Cap and body are black anodized. Cap accepts up to three internal accessories, held in place by a stainless steel clip. Lamp holder is supplied with 6' of cable. Cable exit sealed with a water tight strain relief fitting.

### Aiming

Lamp holder is attached to 304 stainless steel bracketry, allowing full 360° rotational, and ±19° vertical aiming. Bracketry is mounted to C84400 cast bronze collar, allowing adjustment with faceplate removed. 18-8 stainless steel hardware locks lamp holder in place after adjustment.

### Faceplate

Cast C84400 bronze faceplate available in standard or slotted option. Both faceplates available with Tamper Proof option (with 18-8 stainless steel mount hardware) or Non-Tamper Proof option (without mount hardware).

### Finish

TGIC thermo set polyester powder coat paint available in 14 standard colors. Also available in two additional bronze finishes: Natural and Aged.

### Lens

Tempered, clear lens, secured to cap with a high temperature, UV curing, silicone adhesive. Stepped, flush lens reduces collection of water and debris on the lens.

### Socket

GY-6.35 porcelain socket with 600V, 250°C, PTFE coated 18 ga leads.

### Lamps

**MR16 Halogen:** 12V bi-pin up to 20W (See Certification heading).

**Integral LED:** 12-24V AC/DC 10W or 12V AC/DC 12.5W LED options include integral driver with High/Low switch for 35W/20W (10W) or 50W/35W (12.5W) halogen equivalent outputs. LED Modules are field replaceable and feature replaceable lenses, an L70 > 60,000 hrs., dynamic transformer recognition, phase dimming (see Transformer and Dimmer Compatibility List), and patented LEDSense® thermal management. Note: requires up to 13W (10W) or 15W (12.5W) at startup, which must be allowed for during system design.

**Retrofit MR16 LED:** 12V 7.5W bi-pin retrofit Soraa™ MR16 LED lamp with specially engineered heat sink mount to ensure proper heat transfer to body. Note: Retrofit LED will overheat without supplied heat sink mount.

### Certification

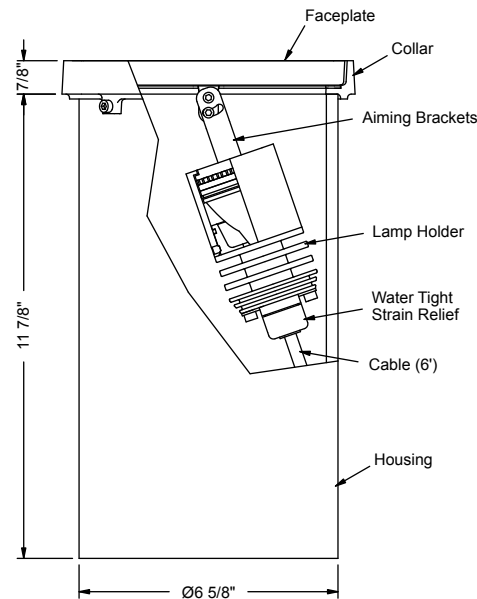
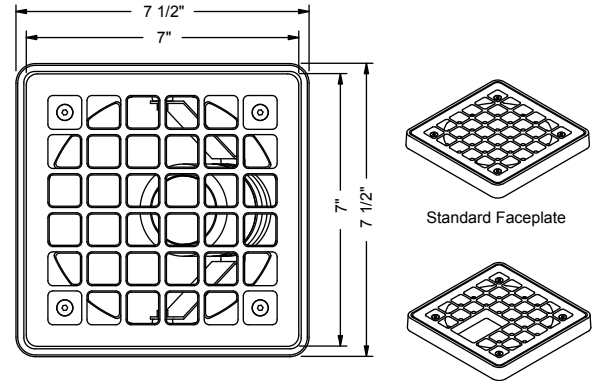
CSA tested & certified to US and Canadian safety standards for the following applications:

Wet location landscape use (UL1838):

**IG1B - 20W Max. MR16 Halogen lamp.**

**LED options can be used in all models and applications.**

All ratings subject to change without notice. See web site or contact V3 for most current info.



## Ordering Information

IG1B		Faceplate	Lamp	Lens Accy <sup>1</sup>	Filter <sup>1</sup>	Louwer <sup>1</sup>
Model	IG1B - Cast Bronze					
Finish						
<b>Powder Coat Finishes:</b>						
BLT - Textured Black	BL - Black					
BNT - Textured Bronze	BN - Bronze					
BAT - Textured Bark	WI - White					
GRT - Textured Green	SI - Silver					
GNT - Textured Granite	GY - Grey					
SAT - Textured Sand	BE - Beige					
PAT - Textured Patina						
EAT - Textured Earth						
<b>Metal Finishes:</b>						
NAT - Natural (IG1B only)						
AGE - Aged (IG1B only)						
		<b>Standard:</b>	<b>Integral LED (3000K, &gt;80 CRI):</b> <sup>1,2,3</sup>	0 - None	0 - None	0 - None
		TP - Tamper Proof	116 - 10W, 12°    141 - 12.5W, 12°	L1 - Spread Lens	F4 - Green	H1 - Hex
		(w/ mount screws)	117 - 10W, 21°    142 - 12.5W, 21°	L2 - Linear Lens	F1 - Red    F5 - Amber	
		NTP - Non-Tamper Proof	118 - 10W, 41°    143 - 12.5W, 41°	L3 - Softening Lens	F2 - Blue    F6 - Pink	
		(w/o mount screws)			F3 - Light Blue    F7 - Mercury Vapor	
		<b>Slotted:</b>	<b>MR16 Halogen:</b>			
		STP - Tamper Proof	0 - None			
		(w/ mount screws)	01 - ESX, 20W, 12°			
		SNTP - Non-Tamper Proof	02 - BAB, 20W, 40°			
		(w/o mount screws)	<b>Retrofit MR16 LED (3000K, 95 CRI):</b> <sup>2,3,4</sup>			
			147 - 7.5W, 10°			
			148 - 7.5W, 25°			
			149 - 7.5W, 36°			

### Notes:

- Only two lens accessories can be used with Integral LED.
- Only power LED lamp options with approved transformers (contact V3 for transformer and dimmer compatibility info).
- LED available with other color temperatures as a special order. Consult your V3 sales rep.
- Use only approved Retrofit MR16 LED lamps and supplied heat sink mount, otherwise LED may overheat.
- Specifications, certifications, and ordering information are subject to change. Please check website for latest specification sheets.

Example: **IG1B - NAT - TP - 01 - 0 - F2 - H1**